

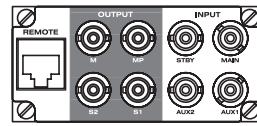
# TDS-5103

## TS Stream Detection and Protection Changeover

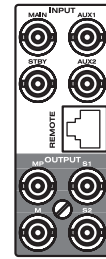
### FEATURES

- Manual and auto control
- Detection of TS input presence
- Switching in priority of main, backup, auxiliary1 and auxiliary2 inputs in auto mode
- By-pass protection
- Non-volatile memory
- Hot-swappable
- Computer software control supported

### BACK MODULES

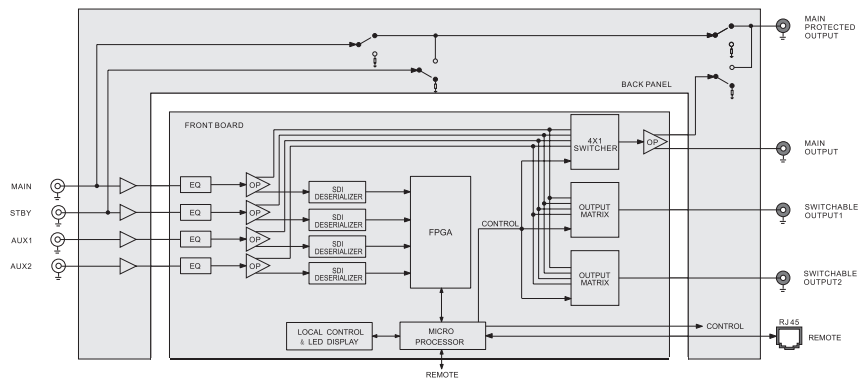


1RU



2RU

### BLOCK DIAGRAM



### SPECIFICATIONS

Specifications are subject to change without notice.

#### TS INPUT

Connector.....BNCx4

#### TS OUTPUT

Connector.....BNCx4

#### ELECTRICAL

Power.....±12 V DC power inputs

#### ENVIRONMENTAL

Operating Temperature.....32° ~ 104° F (0° ~ 40° C)

Relative Humidity.....10% ~ 90%